

# U16 Female -48kg

## Competitors/Compétiteurs A

#	Name/Nom	Grade	Club	1	2	3	4	W/G	Pts	Pos
1	MA Julie	green	BC/Peak Judo Club	XX				0	0	4
2	KEIRSTEAD Wish	blue	BC/Shidokai	10	XX	10		2	20	1
3	GROOTEN Maegan	green	BC/Hart	10		XX	10	2	20	2
4	FOSTERSON Trinity	green	BC/Nanaimo	5	10		XX	2	15	3

## Pool A

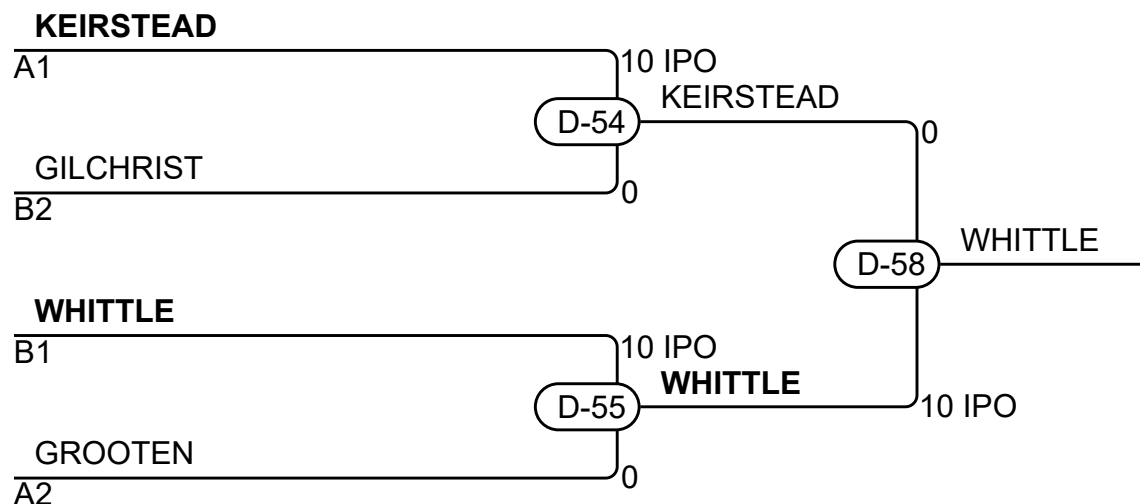
Match	White/Blanc	Blue/Bleu	Res/Rés	Tim/Tmp	Code
D-16	MA Julie	1 2 KEIRSTEAD Wish	0 - 10	1:54	IPO
D-17	GROOTEN Maegan	3 4 FOSTERSON Trinity	10 - 0	0:45	IPO
D-31	MA Julie	1 3 GROOTEN Maegan	0 - 10	0:30	IPO
D-32	KEIRSTEAD Wish	2 4 FOSTERSON Trinity	0 - 10	0:56	IPO
D-46	MA Julie	1 4 FOSTERSON Trinity	0 - 5	3:00	WAZ
D-47	KEIRSTEAD Wish	2 3 GROOTEN Maegan	10 - 0	2:54	IPO

## Competitors/Compétiteurs B

#	Name/Nom	Grade	Club	5	6	7	W/G	Pts	Pos
5	WHITTLE Gwen	blue	BC/Campbell River	XX	10	10	2	20	1
6	GILCHRIST Lily	green	BC/Westsyde		XX	10	1	10	2
7	WONG Marisa	green	BC/Ishikawa Family			XX	0	0	3

## Pool B

Match	White/Blanc	Blue/Bleu	Res/Rés	Tim/Tmp	Code
D-18	WHITTLE Gwen	5 6 GILCHRIST Lily	10 - 0	0:25	IPO
D-33	WHITTLE Gwen	5 7 WONG Marisa	10 - 0	1:22	WIP
D-48	GILCHRIST Lily	6 7 WONG Marisa	10 - 0	3:07	GSW



## Results/Résultats

Pos	Name/Nom
1	WHITTLE Gwen, BC/Campbell River
2	KEIRSTEAD Wish, BC/Shidokai
3	GILCHRIST Lily, BC/Westsyde
3	GROOTEN Maegan, BC/Hart