



Senior Nov Male -90kg

Competitors A

#	Name	Club	1	2	3	4	Wins	Pts	Pos
1	LAVRINOVICH Vlad	Mudo Martial Arts	XX	10		10	2	20	2
2	DUFRESNE Michael	Western Judo		XX			0	0	4
3	HUDSON Ron	Shidokai	10	10	XX	10	3	30	1
4	HOU Eric	Mudo Martial Arts		10		XX	1	10	3

Pool A

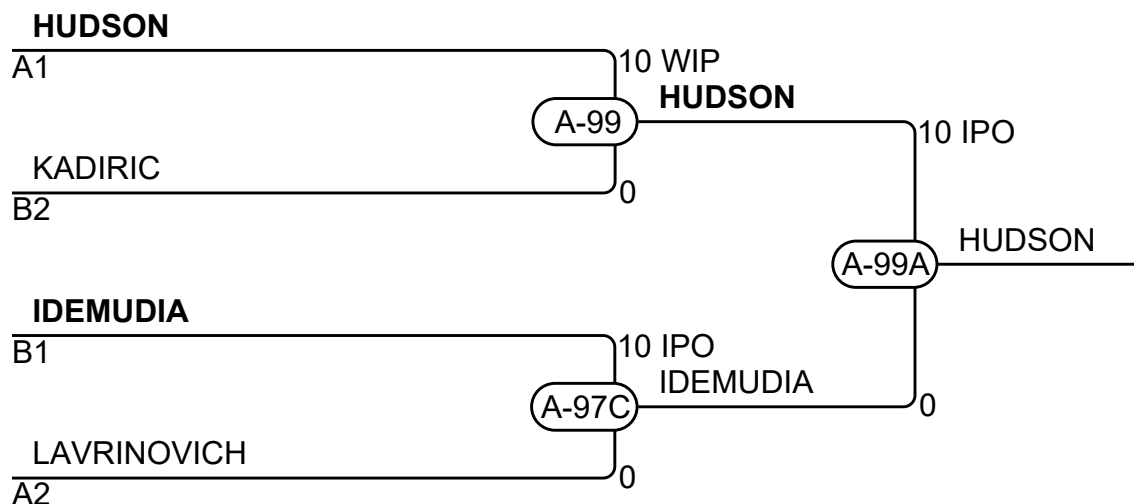
Match	White	Blue	Result	Time	Code
A-39	LAVRINOVICH Vlad 1 2	DUFRESNE Michael	10 - 0	0:58	IPO
A-52	HUDSON Ron 3 4	HOU Eric	10 - 0	0:30	WIP
A-66	LAVRINOVICH Vlad 1 3	HUDSON Ron	0 - 10	0:26	IPO
A-67	DUFRESNE Michael 2 4	HOU Eric	0 - 10	1:15	IPO
A-82	LAVRINOVICH Vlad 1 4	HOU Eric	10 - 0	0:23	GSI
A-95	DUFRESNE Michael 2 3	HUDSON Ron	0 - 10	0:22	IPO

Competitors B

#	Name	Club	5	6	7	Wins	Pts	Pos
5	BAHABRI Abdulrahman	Prince George	XX			0	0	3
6	KADIRIC Elvir	Abbotsford	10	XX		1	10	2
7	IDEMUDIA Junior	Mudo Martial Arts	10	10	XX	2	20	1

Pool B

Match	White	Blue	Result	Time	Code
A-53	BAHABRI Abdulrahman 5 6	KADIRIC Elvir	0 - 10	0:09	IPO
A-81	BAHABRI Abdulrahman 5 7	IDEMUDIA Junior	0 - 10	1:59	WIP
A-96	KADIRIC Elvir 6 7	IDEMUDIA Junior	0 - 10	1:17	IPO



Results

Pos	Name
1	HUDSON Ron, Shidokai
2	IDEMUDIA Junior, Mudo Martial Arts
3	KADIRIC Elvir, Abbotsford
3	LAVRINOVICH Vlad, Mudo Martial Arts