

Competitors/Compétiteurs A

#	Name/Nom	Grade	Club	1	2	3	4	W/G	Pts	Pos
1	LANG Damian	green	USAJUDO/Seiei Dojo	XX	5	10	10	3	25	1
2	THIEL Nathan	brown	BC/Abbotsford		XX	10	10	2	20	2
3	MEJERY Andrey	green/blue	ON/Taifu			XX	10	1	10	3
4	METRIK Dar	green	MB/Nakamura				XX	0	0	4

Pool A

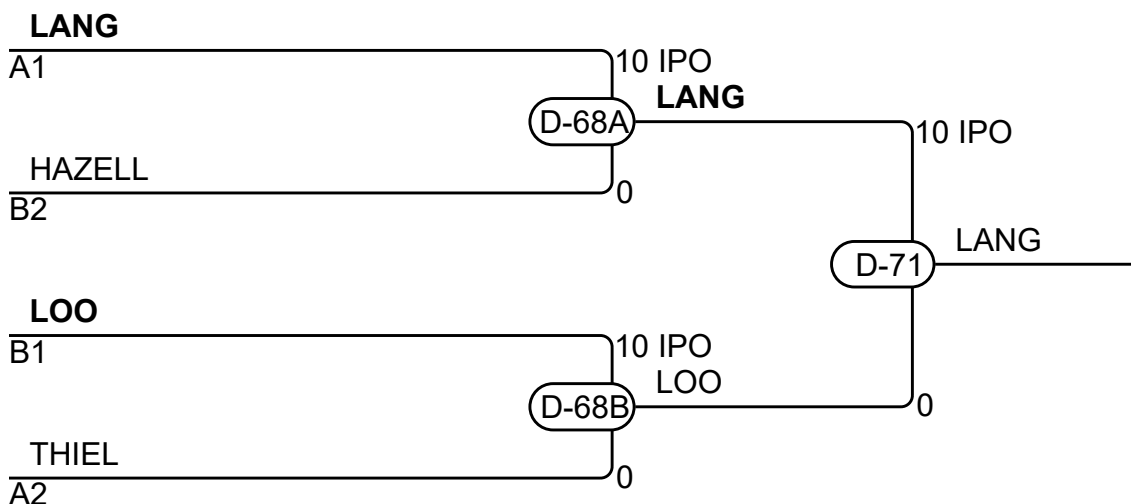
Match	White/Blanc			Blue/Bleu	Res/Rés	Tim/Tmp	Code
D-64A	LANG Damian	1	2	THIEL Nathan	5 - 0	5:51	GSW
D-41	MEJERY Andrey	3	4	METRIK Dar	10 - 0	0:28	IPO
D-52	LANG Damian	1	3	MEJERY Andrey	10 - 0	3:50	WIP
D-53	THIEL Nathan	2	4	METRIK Dar	10 - 0	1:22	IPO
D-62	LANG Damian	1	4	METRIK Dar	10 - 0	0:36	IPO
D-58	THIEL Nathan	2	3	MEJERY Andrey	10 - 0	0:50	IPO

Competitors/Compétiteurs B

#	Name/Nom	Grade	Club	5	6	7	W/G	Pts	Pos
5	CARTWRIGHT Levi	blue	BC/Prince George	XX			0	0	3
6	LOO Derek	blue	USAJUDO/Seiei Judo	10	XX	10	2	20	1
7	HAZELL Connor	blue	AB/Lethbridge	10		XX	1	10	2

Pool B

Match	White/Blanc			Blue/Bleu	Res/Rés	Tim/Tmp	Code
D-42	CARTWRIGHT Levi	5	6	LOO Derek	0 - 10	0:23	IPO
D-54	CARTWRIGHT Levi	5	7	HAZELL Connor	0 - 10	5:40	GSI
D-59	LOO Derek	6	7	HAZELL Connor	10 - 0	0:52	IPO



Results/Résultats

Pos	Name/Nom
1	LANG Damian, USAJUDO/Seiei Dojo
2	LOO Derek, USAJUDO/Seiei Judo
3	HAZELL Connor, AB/Lethbridge
3	THIEL Nathan, BC/Abbotsford