

Competitors/Compétiteurs A

#	Name/Nom	Grade	Club	1	2	3	4	W/G	Pts	Pos
1	LEE Hyeok	shodan	BC/Mudo Martial Arts	XX				0	0	4
2	GARAND Alec	brown	QC/Zenshin	10	XX	10	10	3	30	1
3	OGDEN Soren	brown	USAJUDO/Oak Tree Dojo	10		XX	10	2	20	2
4	GODBOUT Xavier	brown	AB/Hiro's	10			XX	1	10	3

Pool A

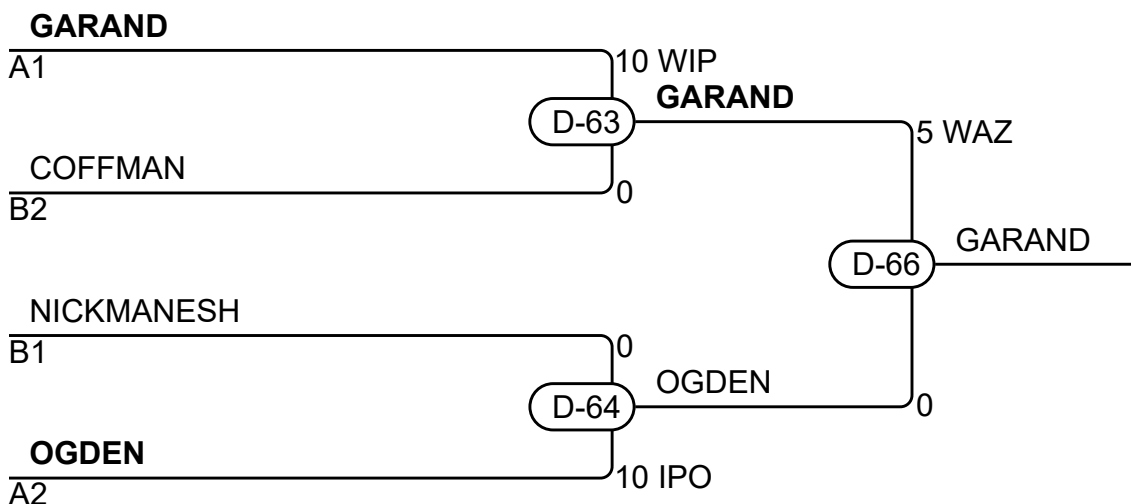
Match	White/Blanc	Blue/Bleu	Res/Rés	Tim/Tmp	Code
D-41	LEE Hyeok 1 2	GARAND Alec	0 - 10	1:48	WIP
D-42	OGDEN Soren 3 4	GODBOUT Xavier	10 - 0	2:04	WIP
D-52	LEE Hyeok 1 3	OGDEN Soren	0 - 10	0:00	KIK
D-53	GARAND Alec 2 4	GODBOUT Xavier	10 - 0	1:24	HAN
D-58	LEE Hyeok 1 4	GODBOUT Xavier	0 - 10	0:00	IPO
D-59	GARAND Alec 2 3	OGDEN Soren	10 - 0	4:50	HAN

Competitors/Compétiteurs B

#	Name/Nom	Grade	Club	5	6	7	W/G	Pts	Pos
5	MILADINOVIC Djuro	shodan	BC/Nakashima	XX			0	0	3
6	NICKMANESH Reza	shodan	BC/Kensington	10	XX	10	2	20	1
7	COFFMAN Sean	brown	USAJUDO/Northsound Judo	10		XX	1	10	2

Pool B

Match	White/Blanc	Blue/Bleu	Res/Rés	Tim/Tmp	Code
D-43	MILADINOVIC Djuro 5 6	NICKMANESH Reza	0 - 10	0:13	IPO
D-54	MILADINOVIC Djuro 5 7	COFFMAN Sean	0 - 10	3:57	IPO
D-60	NICKMANESH Reza 6 7	COFFMAN Sean	10 - 0	0:36	IPO



Results/Résultats

Pos	Name/Nom
1	GARAND Alec, QC/Zenshin
2	OGDEN Soren, USAJUDO/Oak Tree Dojo
3	COFFMAN Sean, USAJUDO/Northsound Judo Club
3	NICKMANESH Reza, BC/Kensington